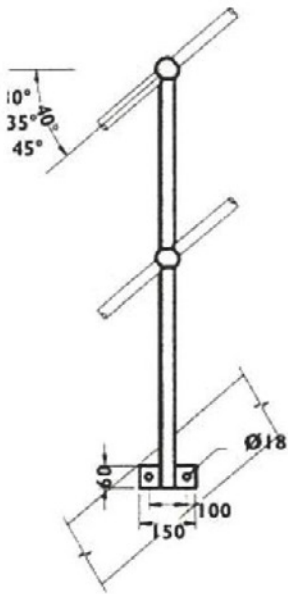
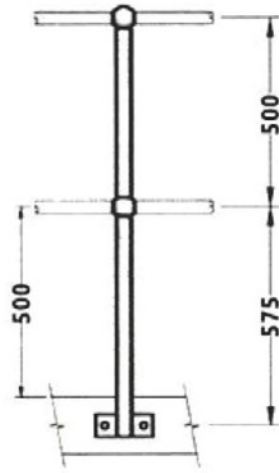


Handrail Systems

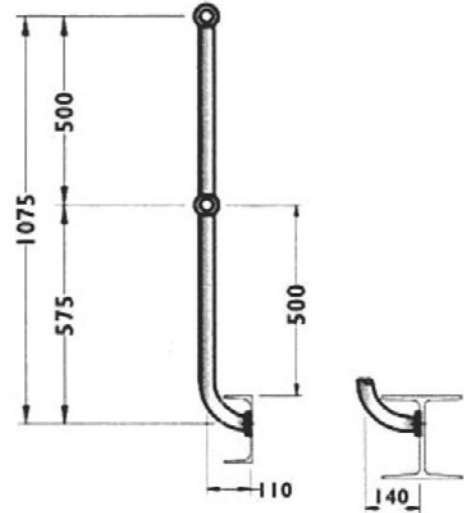
Specifications: Ball - $\varnothing 65\text{mm}$, Stanchion - $\varnothing 38.1\text{mm} \times 1.5\text{mm}$, Handrail $\varnothing 31.75\text{mm} \times 1.5\text{mm}$



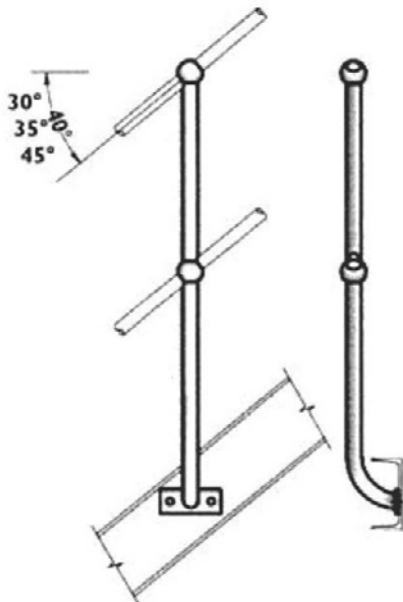
40° SM L/R
SIDE / MOUNT
PLEASE SPECIFY
LEFT OR RIGHT



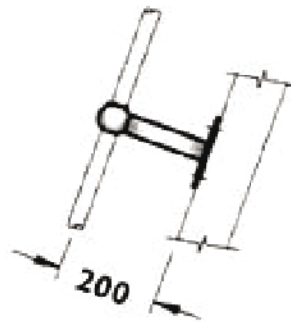
90° SM
SIDE / MOUNT



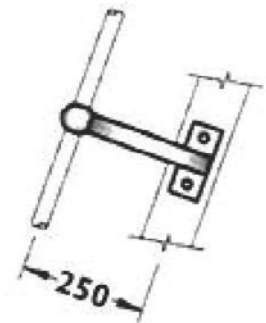
90° GN
GOOSE NECK
STD 110 mm OFFSET
PLEASE SPECIFY 140mm OFFSET



40° GN L/R
GOOSE NECK
STD 110 mm OFFSET
PLEASE SPECIFY | 40 mm OFFSET
& LEFT OR RIGHT



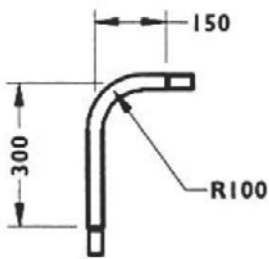
90° TM 200
TOP MOUNT



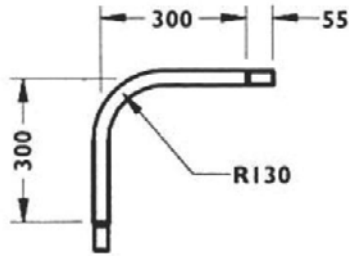
90° SM 250
SIDE MOUNT

Handrail Systems

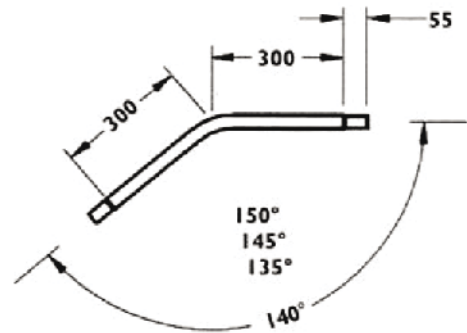
All Bends & Closures are made of 31.75 x 1.5mm Tube in Stainless Steel Grades 316, 304, 409,
"SW" denotes Swage (reduced ends), Please specify if no Swage required.



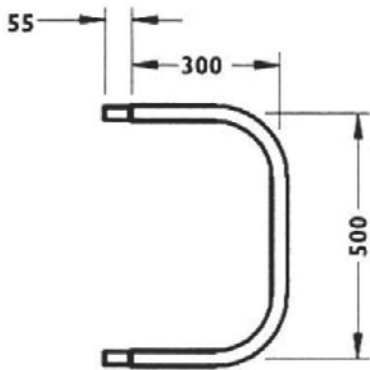
90° S/R BEND SW
SHORT RADIUS



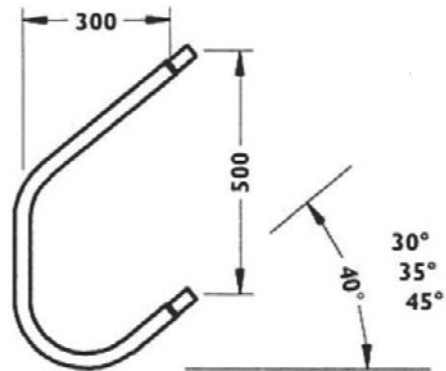
90° L/R BEND SW
LONG RADIUS



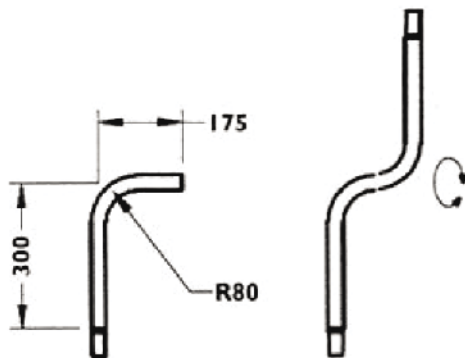
14° RAMP BEND SW



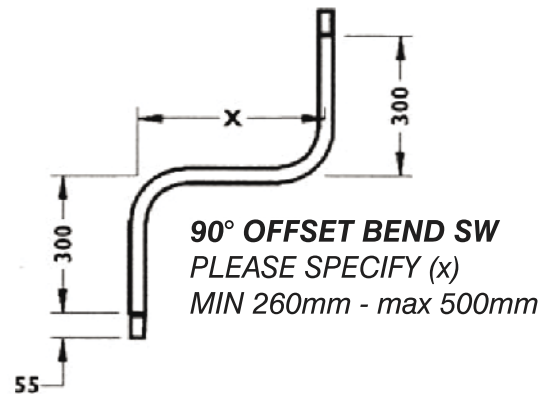
90° CLOSURE SW



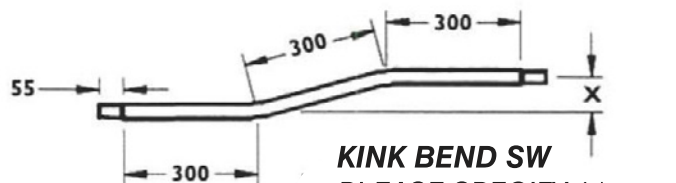
40° CLOSURE SW



90° T/R BEND SW
TIGHT RADIUS STAIR RETURN BENDS



90° OFFSET BEND SW
PLEASE SPECIFY (x)
MIN 260mm - max 500mm



KINK BEND SW
PLEASE SPECIFY (x)
MIN 50mm - max 260mm